



OPTIONS



DESCRIPTION

2-phase, high-torque stepper motor in size NEMA 23 (56mm) with a step angle (full step) of 1.8° in protection class IP65 (except shaft outlet). Because they have the same flange size as the standard motor ST4118, these motors are electrically and mechanically interchangeable.

VERSIONS

Type	Current per Winding A	Holding Torque Ncm	Resistance per Winding Ohm	Inductance per Winding mH	Rotor Inertia gcm ²	Weight kg	Length „A“ mm	Encoder Supply Voltage V	Brake Torque Ncm
AS5918S2804	2.82	99	0.75	2.6	230	0.8	73		
AS5918S2804-E	2.82	99	0.75	2.6	230	0.8	73	5	
AS5918M2804	2.82	124	0.85	3.6	300	0.85	77		
AS5918M2804-E	2.82	124	0.85	3.6	300	0.85	77	5	
AS5918L4204	4.2	187	0.5	1.9	480	1.14	98		
AS5918L4204-E	4.2	187	0.5	1.9	480	1.14	98	5	
AS5918L4204-EB	4.2	187	0.5	1.9	480	1.33	138	5	100
AS5918L4204-ENM24	4.2	187	0.5	1.9	480	1	98	24	
AS5918L4204-ENM24B	4.2	187	0.5	1.9	480	1	138	24	100

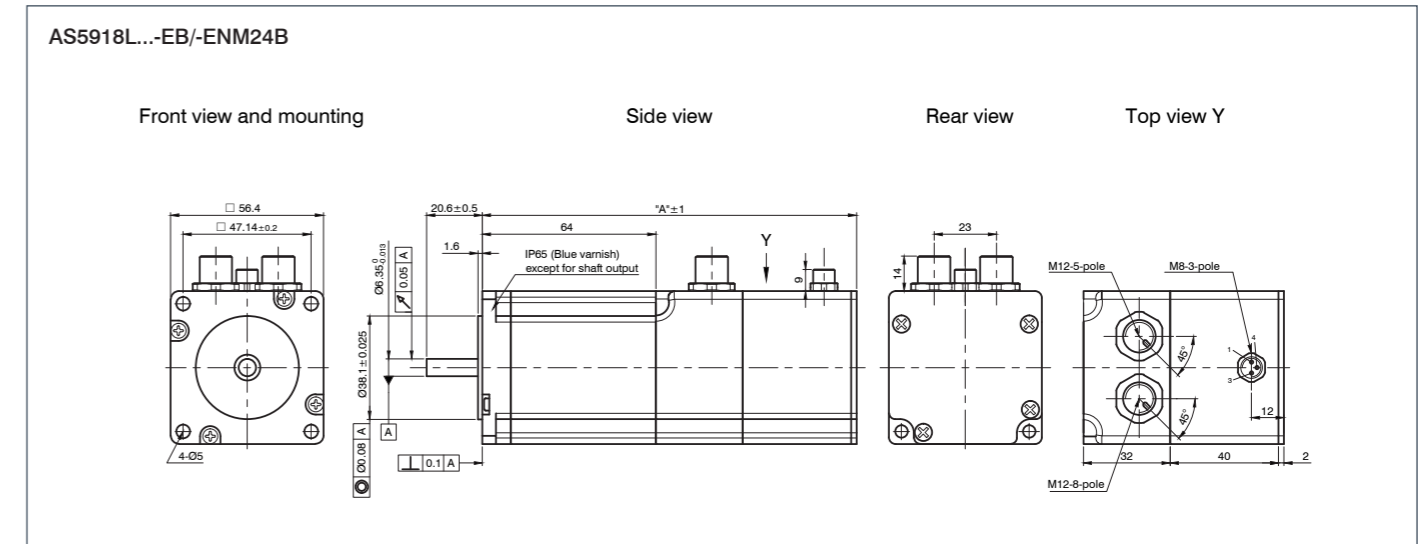
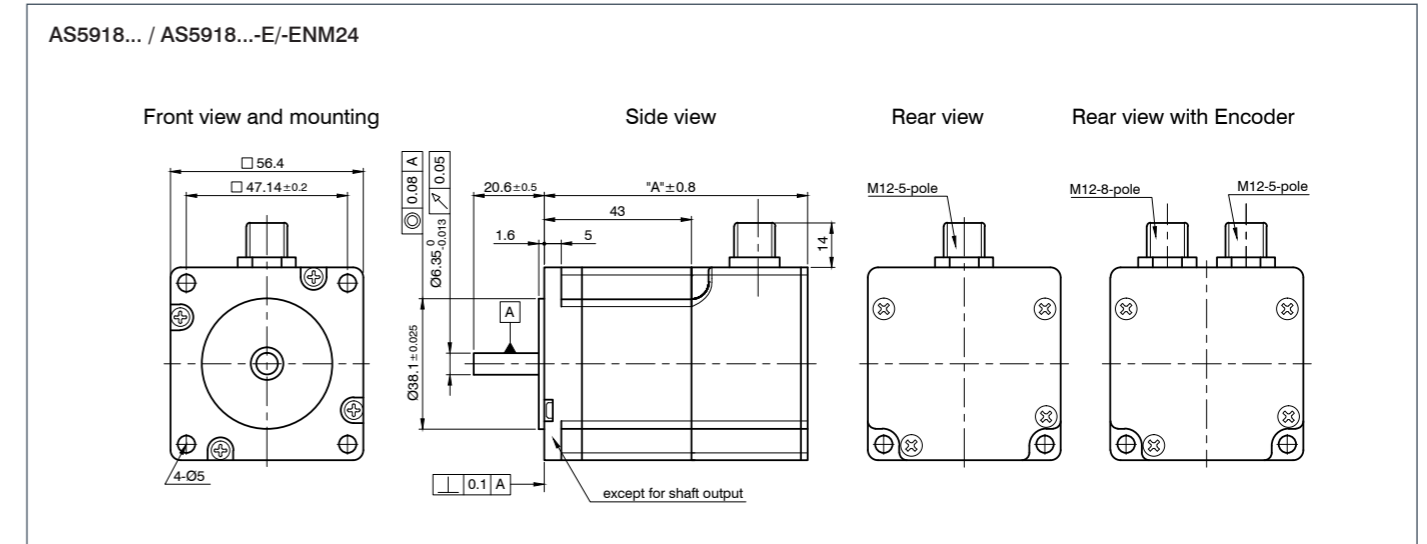
ORDER IDENTIFIER

AS5918S2804-
 E = with encoder
 EB = with encoder and brake
 ENM24 = with 24-V encoder
 ENM24B = with 24-V encoder and brake

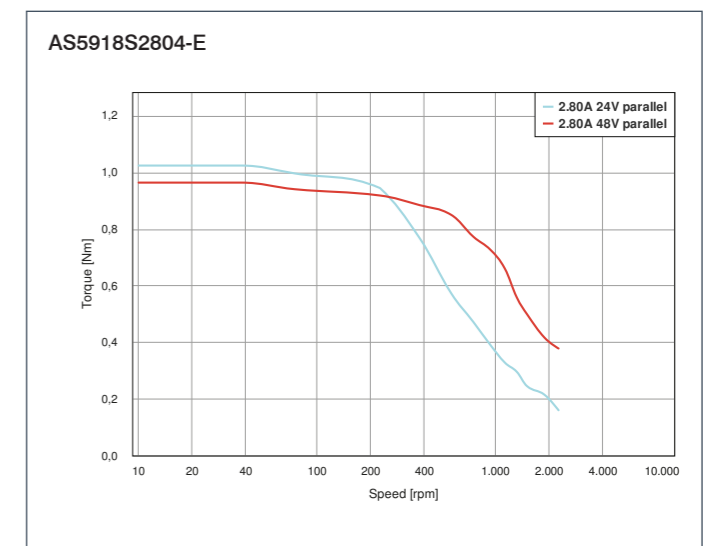
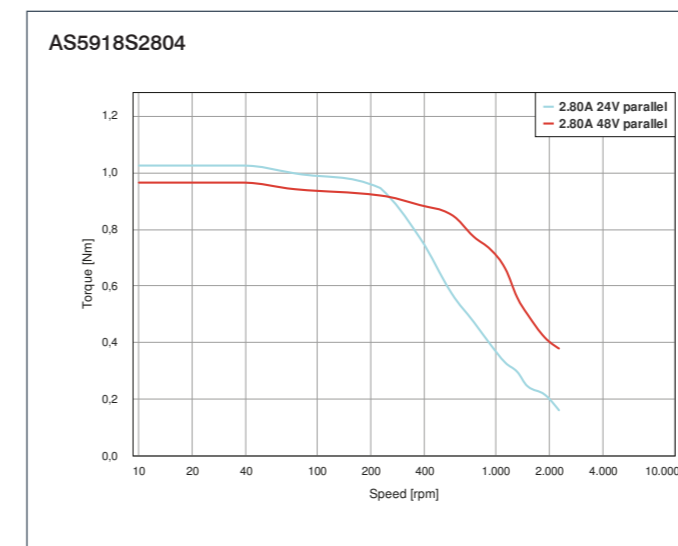
ACCESSORIES

ZK-M12-5-2M-1-PUR-S M12 Cable
ZK-M12-5-2M-2-PUR-S M12 Cable
ZK-M12-5-5M-1-PUR-S M12 Cable
ZK-M12-5-5M-2-PUR-S M12 Cable
ZK-M12-8-2M-1-PUR-S M12 Cable
ZK-M12-8-2M-2-PUR-S M12 Cable
ZK-M12-8-5M-1-PUR-S M12 Cable
ZK-M12-8-5M-2-PUR-S M12 Cable

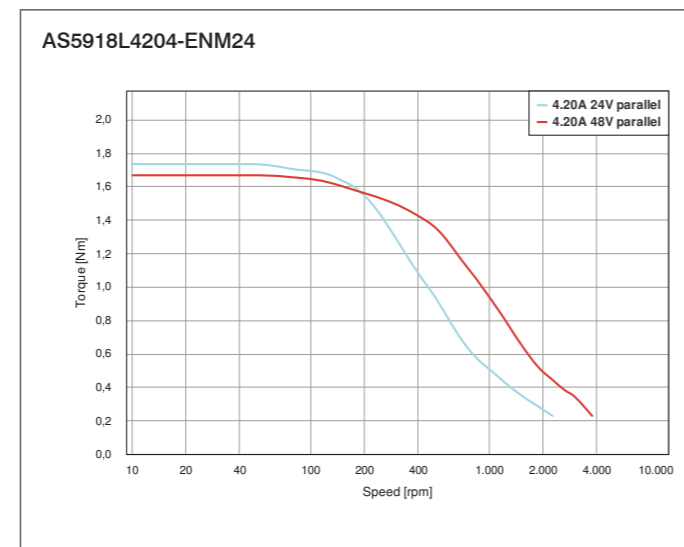
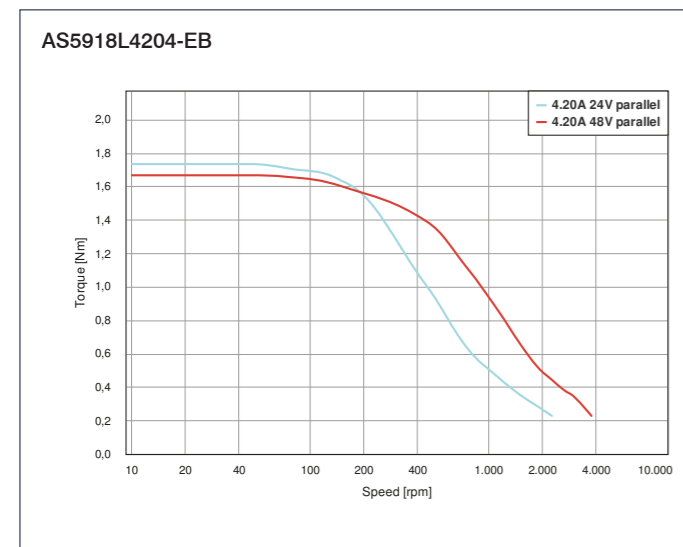
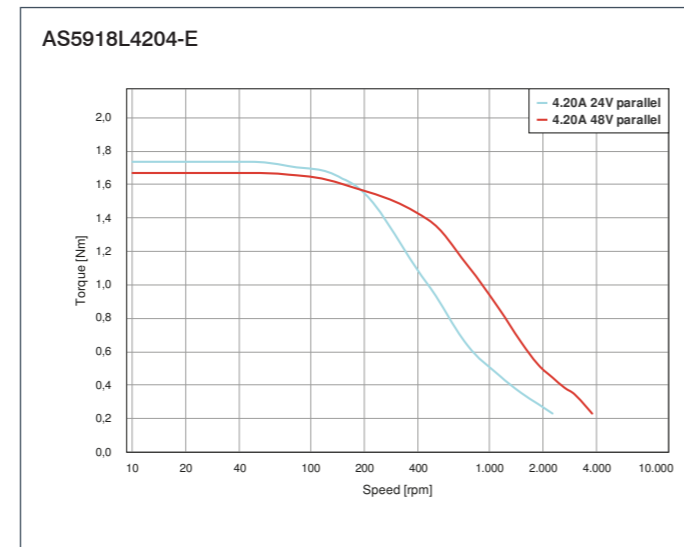
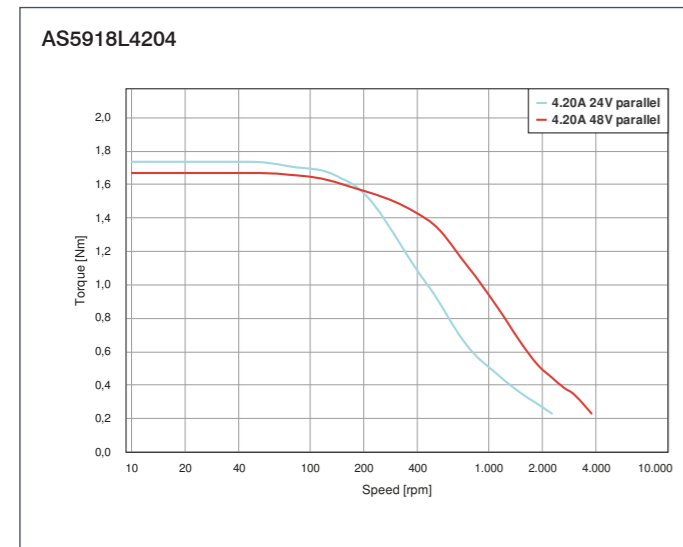
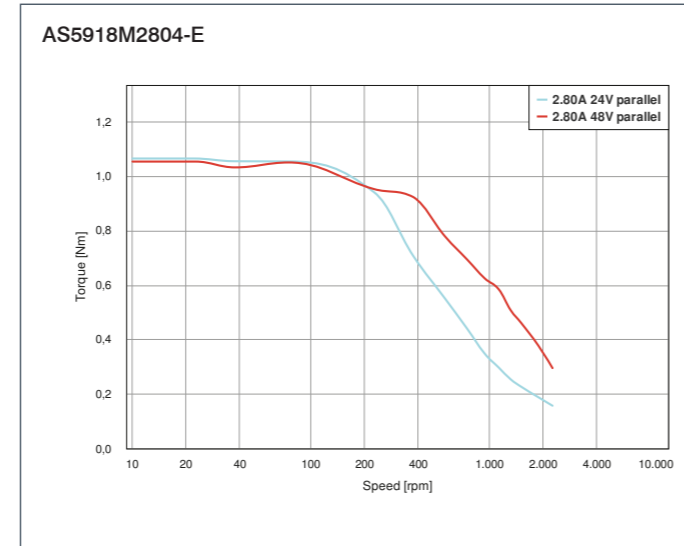
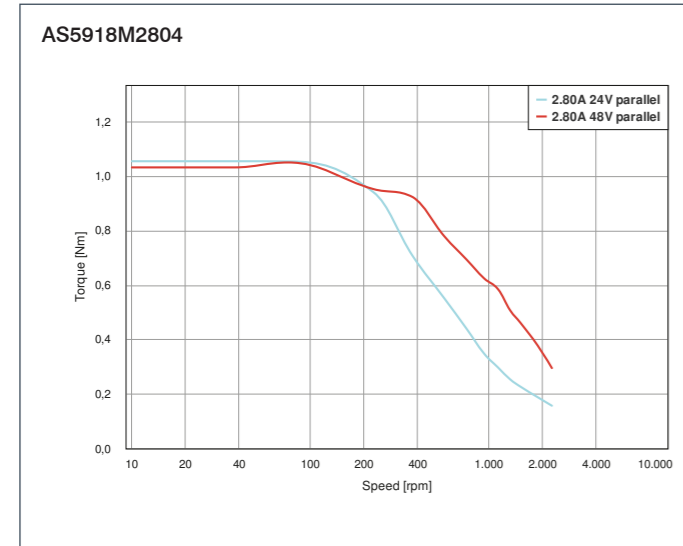
DIMENSIONS (IN MM)



TORQUE CURVES



TORQUE CURVES



TORQUE CURVES

